



US0D1055322S

(12) **United States Design Patent**
Magana, Jr.

(10) **Patent No.:** **US D1,055,322 S**

(45) **Date of Patent:** **** Dec. 24, 2024**

(54) **ROOF TILE**

(71) Applicant: **Isaac M Magana, Jr.**, Sacramento, GA
(US)

(72) Inventor: **Isaac M Magana, Jr.**, Sacramento, GA
(US)

(**) Term: **15 Years**

(21) Appl. No.: **29/899,946**

(22) Filed: **Aug. 15, 2023**

(51) **LOC (14) Cl.** **25-01**

(52) **U.S. Cl.**

USPC **D25/140; D25/139**

(58) **Field of Classification Search**

USPC D25/138-141, 125, 102, 56, 143
CPC E04D 1/02; E04D 1/22; E04D 1/04; E04D
3/00; E04D 3/02; E04D 1/12; E04D 1/28;
E04D 2001/005; E04D 1/16; E04D 1/29;
E04D 1/2907; E04D 1/2916; E04D
1/2918; E04D 1/2921; E04D 3/04; E04D
3/36; E04D 1/26; E04D 1/265; E04D
1/125; E04D 13/002; E04D 1/30; E04D
2001/308; E04C 2002/005

See application file for complete search history.

(56) **References Cited**

U.S. PATENT DOCUMENTS

3,479,130 A * 11/1969 Rapaport E04D 13/002
424/641
4,151,692 A * 5/1979 Holcombe E04D 13/1643
52/404.3
D254,991 S * 5/1980 Falcq D25/164
4,651,492 A * 3/1987 Mendez E04D 1/16
52/536
4,729,202 A * 3/1988 Ferland E04D 1/08
52/525
4,890,432 A * 1/1990 Shepherd E04D 1/2916
52/542
D338,541 S * 8/1993 Fifield D25/140

D347,287 S * 5/1994 Mayer D25/140
D347,483 S * 5/1994 Thomas D25/139
D348,317 S * 6/1994 Thomas D25/139
D356,873 S * 3/1995 Bamber D25/140
5,406,766 A * 4/1995 Nicholas B28B 1/16
52/554

D368,782 S * 4/1996 Noone D25/139
D370,539 S * 6/1996 Treat D25/140

(Continued)

OTHER PUBLICATIONS

Marley Modern Interlocking Concrete Roof Tile, available in website.com, customer review oldest date May 3, 2020 [online], [site visited Mar. 4, 2024], Available from the internet URL: <https://www.roofingsuperstore.co.uk/product/marley-modern-interlocking-concrete-roof-tile.html> (Year: 2020).*

(Continued)

Primary Examiner — Christian P. McLean

Assistant Examiner — Jasmine L. Comedy

(74) *Attorney, Agent, or Firm* — Craig A. Simmermon

(57)

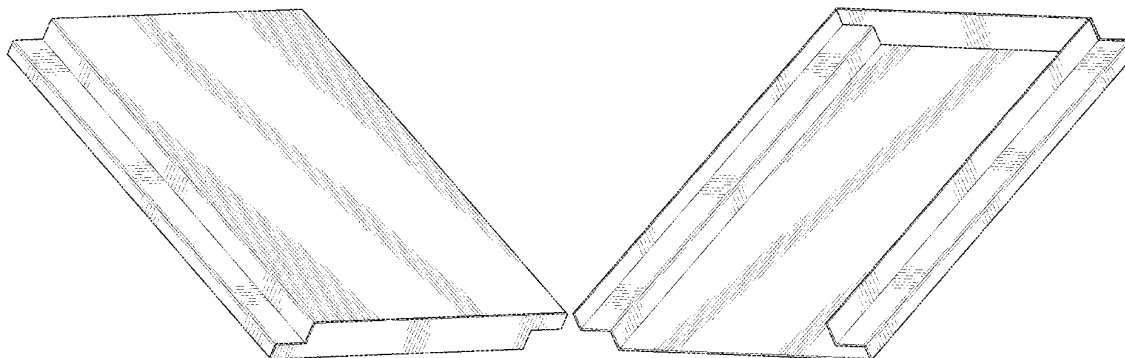
CLAIM

The ornamental design for a roof tile, as shown and described.

DESCRIPTION

FIG. 1 is a top perspective view of a roof tile showing my new design;
FIG. 2 is a right side elevation view thereof;
FIG. 3 is a left side elevation view thereof;
FIG. 4 is a front elevation view thereof;
FIG. 5 is a rear elevation view thereof;
FIG. 6 is a top plan view thereof;
FIG. 7 is a bottom plan view thereof;
FIG. 8 is an environmental perspective view thereof; and,
FIG. 9 is a bottom perspective view thereof.
The broken lines depict unclaimed environmental subject matter that forms no part of the claimed design.

1 Claim, 7 Drawing Sheets



(56)

References Cited

U.S. PATENT DOCUMENTS

D411,316 S * 6/1999 Alvarez D25/140
 D441,881 S * 5/2001 Hahn D25/140
 6,381,914 B1* 5/2002 Bane B28B 11/16
 52/542
 D478,179 S * 8/2003 Fifield D25/140
 D518,902 S * 4/2006 Beetler D25/141
 D527,813 S * 9/2006 Dodge D23/393
 D538,448 S * 3/2007 Fifield D25/140
 D562,470 S * 2/2008 Shepherd D25/141
 D586,008 S * 2/2009 Vandewater, Jr. D25/141
 D633,223 S * 2/2011 Burman D25/141
 D685,113 S * 6/2013 Henriquez D25/143
 D711,558 S * 8/2014 Bobolts D25/140
 9,663,954 B1* 5/2017 Fernandez E04D 1/16
 D814,068 S * 3/2018 Nowacek D25/140
 D857,930 S * 8/2019 Vladimirovich D25/140
 D867,623 S * 11/2019 Grubka D25/139
 D966,563 S * 10/2022 Truss D25/139
 D1,018,908 S * 3/2024 Markiewicz D25/141
 2003/0150170 A1* 8/2003 Weber E04D 13/00
 52/518

2005/0116373 A1* 6/2005 Evans E04D 1/2949
 264/73
 2009/0249729 A1* 10/2009 Thomas E04D 1/2916
 52/748.1
 2011/0283649 A1* 11/2011 Plath E04D 1/265
 52/578
 2017/0101783 A1* 4/2017 Edgson E04D 1/30

OTHER PUBLICATIONS

Flat Tile Installation, announced in YouTube on Apr. 5, 2010 [online], [site visited Mar. 4, 2024], Available from the internet URL: <https://www.youtube.com/watch?v=wizCDGsfYTs> (Year: 2010).*

Low Pitch Roof Solutions, available in website.com, announced Year 2021 [online], [site visited Mar. 4, 2024], Internet URL: <https://www.aboutroofing.com/news/low-pitch-roof-options/> (Year: 2021).*

Flat tile Clay Single Roofing Tiles, customer review oldest date Mar. 4, 2020 [online], Available from the internet URL: <https://www.indiamart.com/proddetail/single-roofing-tiles-20702594273.html> (Year: 2020).*

* cited by examiner

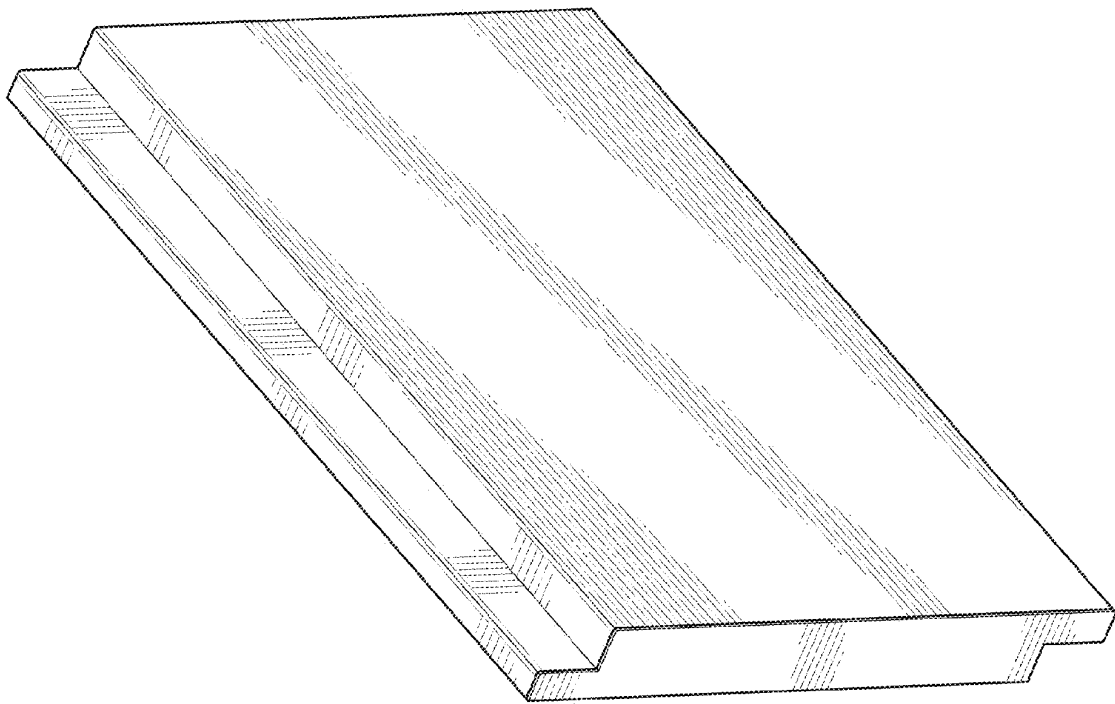


FIG. 1



FIG. 2

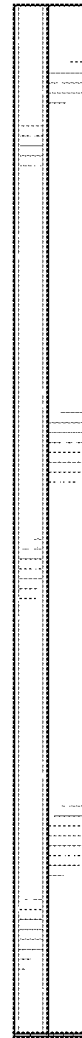


FIG. 3



FIG. 4



FIG. 5

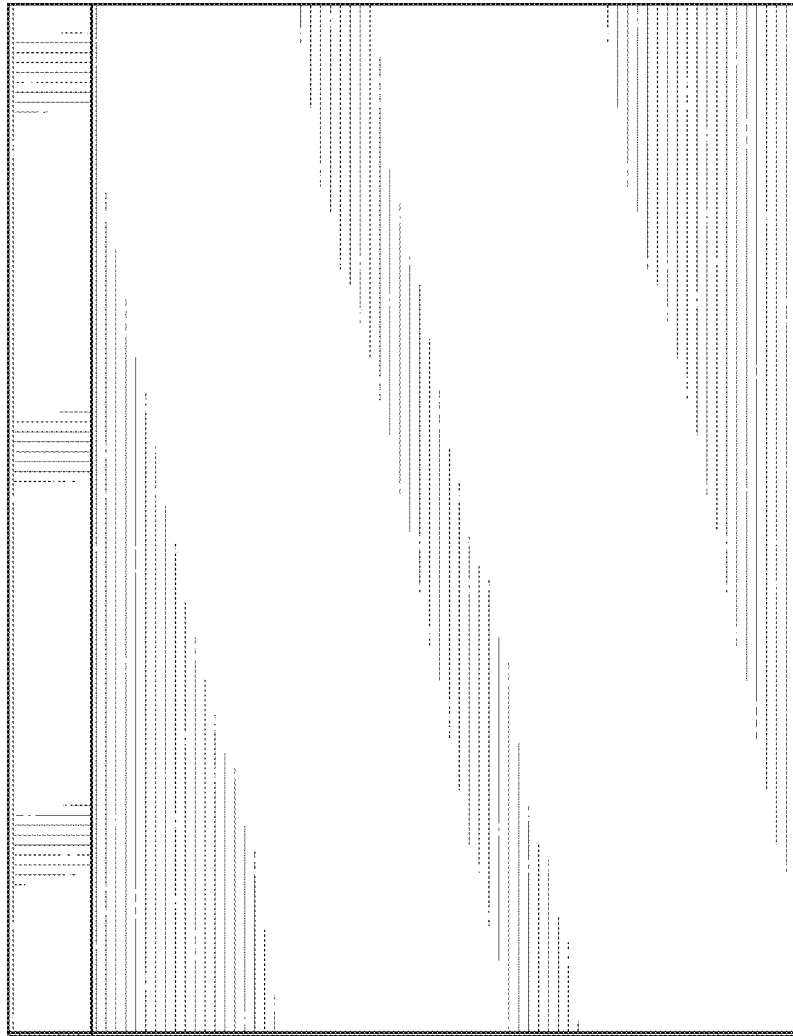


FIG. 6

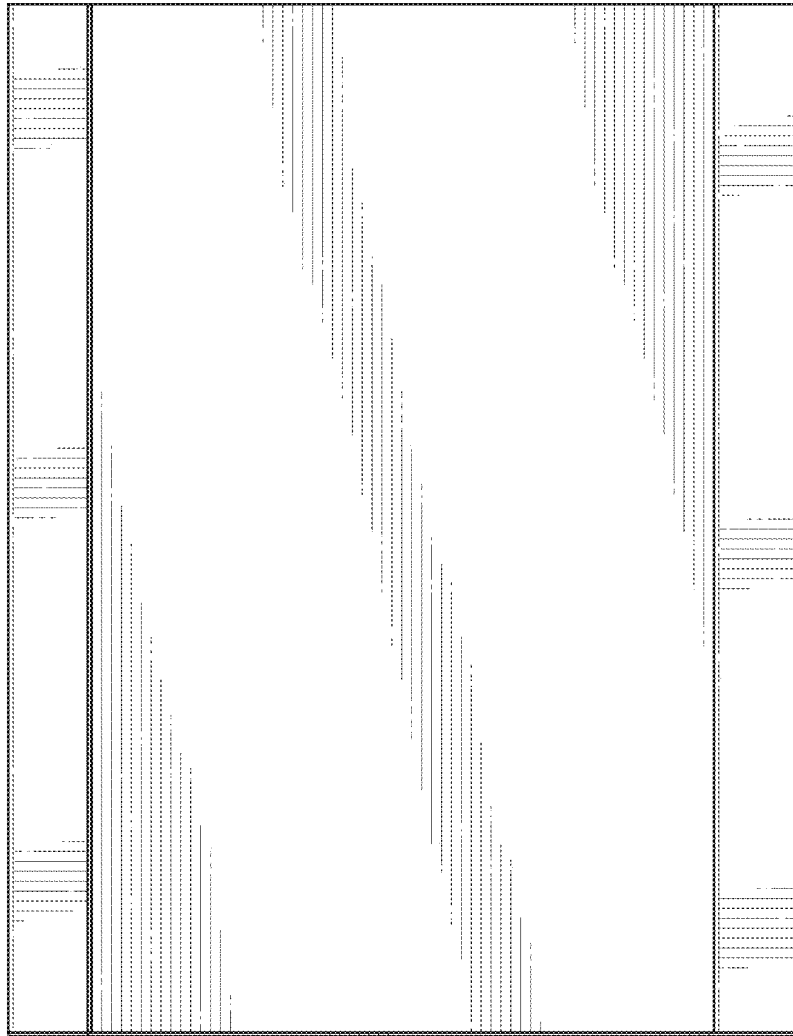


FIG. 7

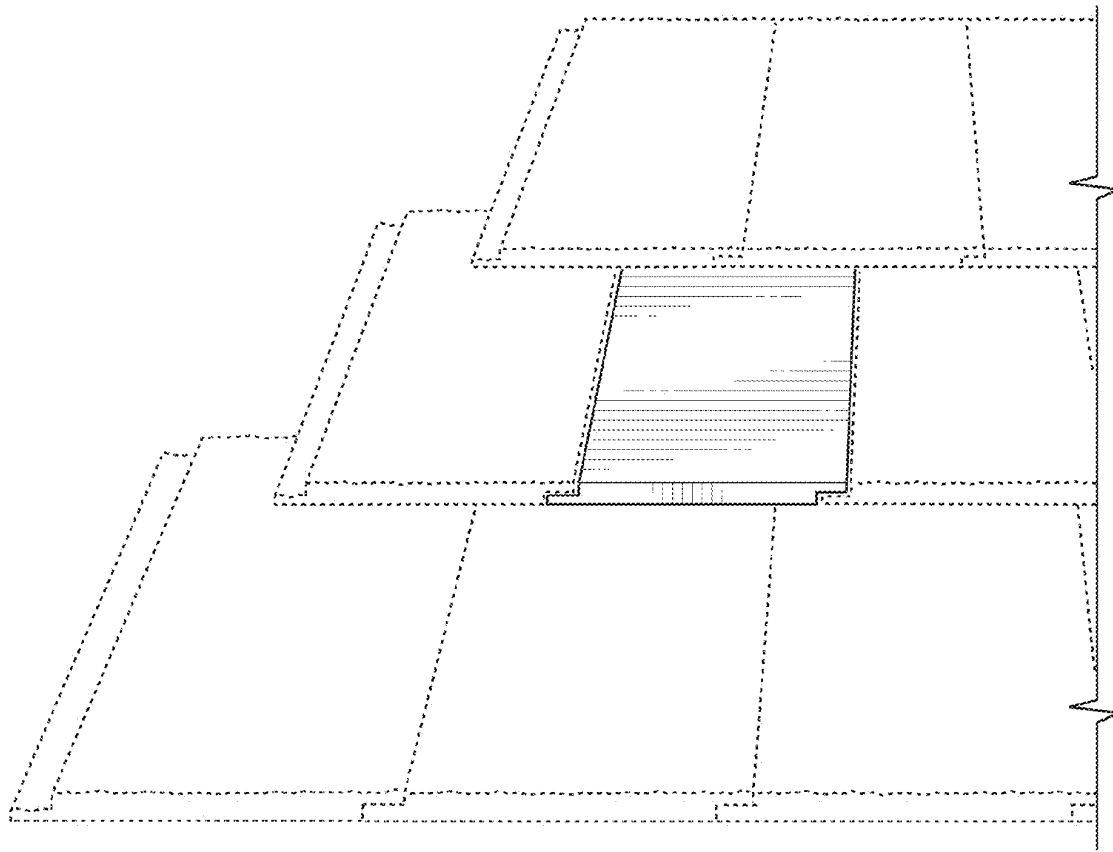


FIG. 8

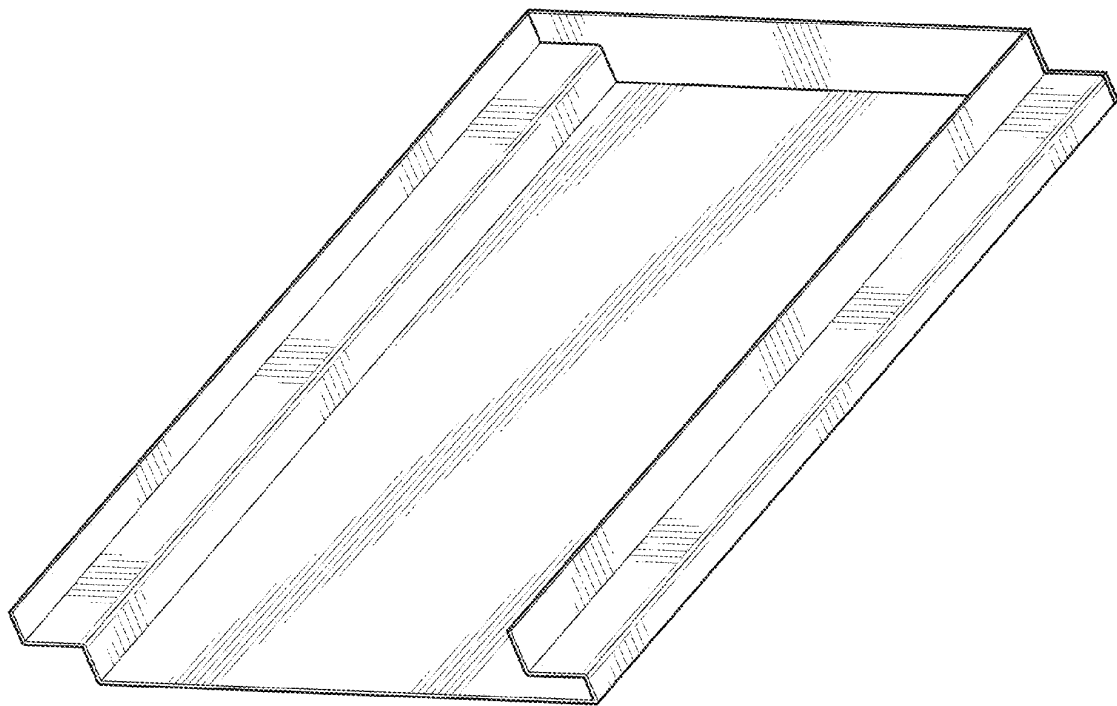


FIG. 9