



US0D1068514S

(12) **United States Design Patent**
Whatley

(10) **Patent No.:** **US D1,068,514 S**

(45) **Date of Patent:** **** Apr. 1, 2025**

(54) **TAPE MEASURE HOOK OR TANG**

D668,166 S * 10/2012 Huang D10/74
D763,711 S * 8/2016 DeLeo D10/74
D926,009 S * 7/2021 Wilson D10/74

(71) Applicant: **John Allen Whatley**, Rocklin, CA (US)

* cited by examiner

(72) Inventor: **John Allen Whatley**, Rocklin, CA (US)

Primary Examiner — Antoine Duval Davis

(**) Term: **15 Years**

(74) *Attorney, Agent, or Firm* — Craig A. Simmermon

(21) Appl. No.: **29/894,209**

(57) **CLAIM**

(22) Filed: **Jun. 7, 2023**

The ornamental design for a tape measure hook or tang, as shown and described.

(51) **LOC (15) Cl.** **10-04**

(52) **U.S. Cl.**
USPC **D10/74**

DESCRIPTION

(58) **Field of Classification Search**
USPC D10/72, 74
CPC G01B 3/1056; G01B 3/1089
See application file for complete search history.

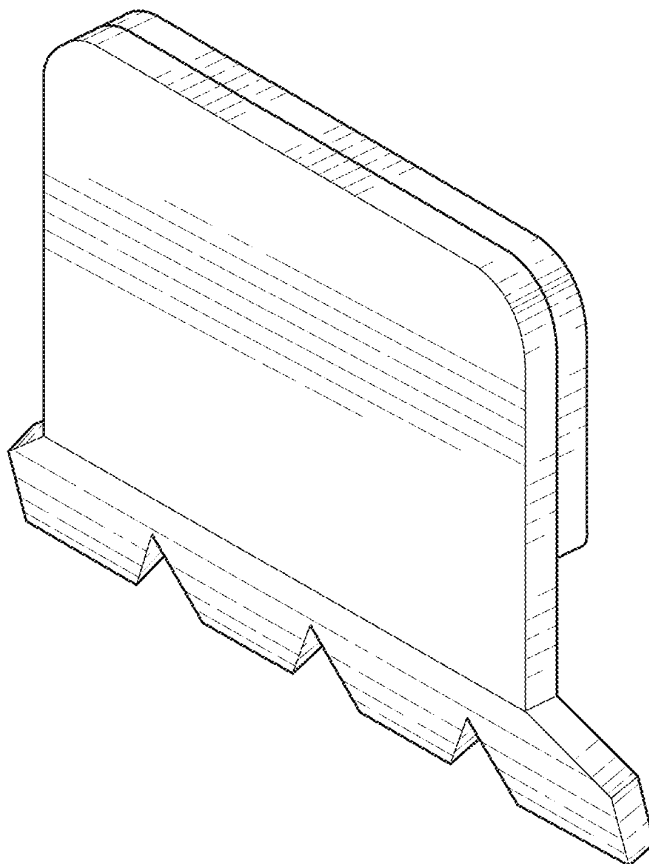
FIG. 1 is a front perspective view of a tape measure hook or tang showing my new design;
FIG. 2 is a front elevation view thereof;
FIG. 3 is a rear elevation view thereof;
FIG. 4 is a left side elevation view thereof;
FIG. 5 is a right side elevation view thereof;
FIG. 6 is a top plan view thereof;
FIG. 7 is a bottom plan view thereof; and,
FIG. 8 is a rear perspective view thereof, depicting said tape measure hook or tang attached to a tape measure.
The broken lines depict unclaimed environmental subject matter that forms no part of the claimed design.

(56) **References Cited**

U.S. PATENT DOCUMENTS

D486,086 S * 2/2004 Jueneman D10/74
D653,976 S * 2/2012 Robinson D10/74
D653,978 S * 2/2012 Robinson D10/74
D653,979 S * 2/2012 Robinson D10/74
8,117,762 B2 * 2/2012 Delneo G01B 3/1056
D10/74

1 Claim, 6 Drawing Sheets



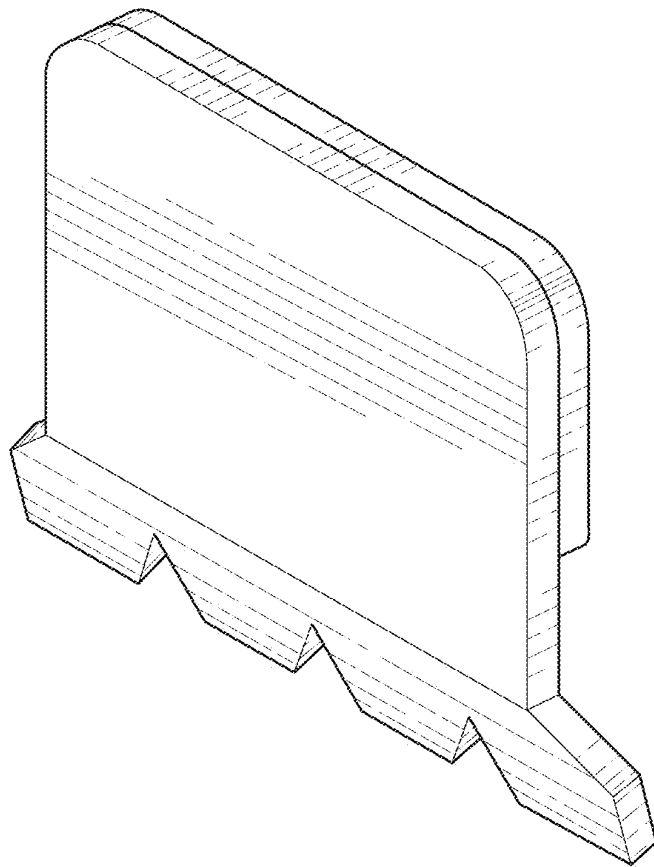


FIG. 1

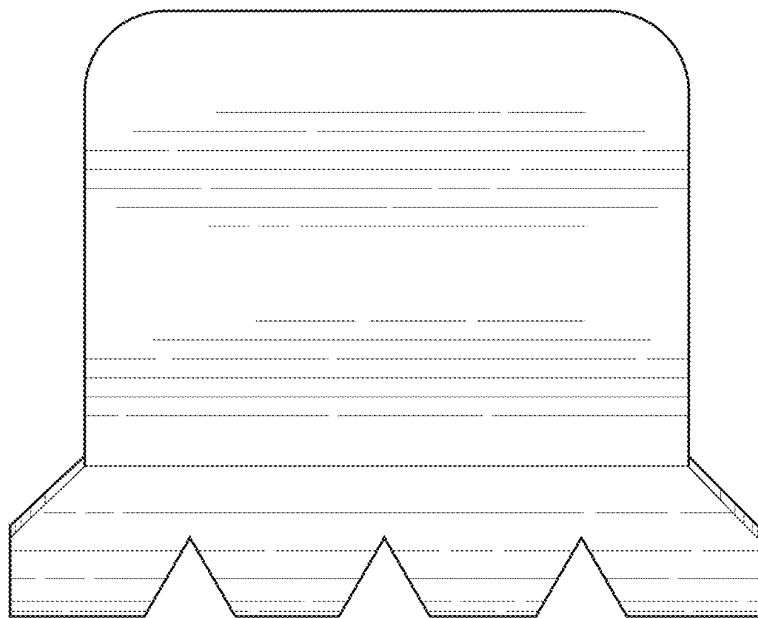


FIG. 2

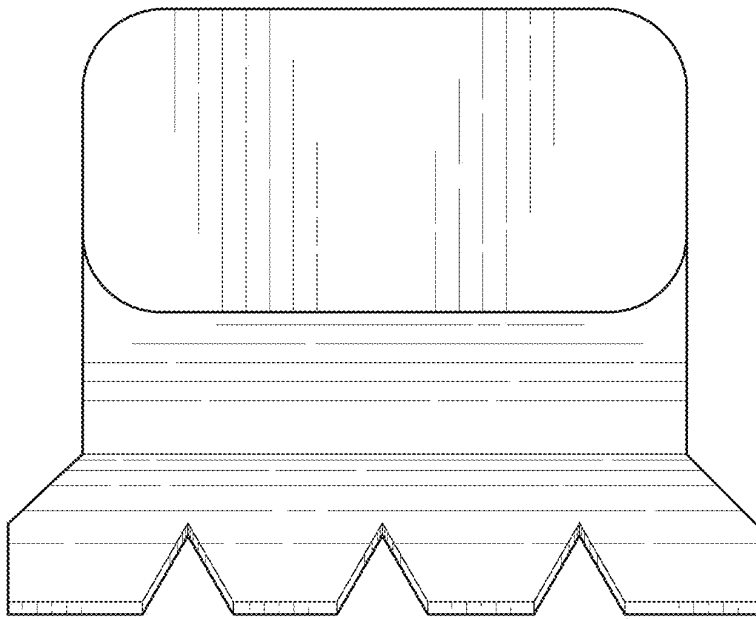


FIG. 3

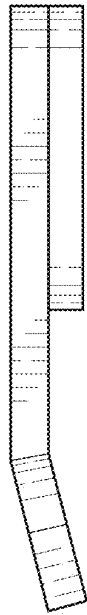


FIG. 4



FIG. 5

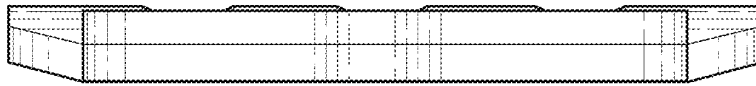


FIG. 6

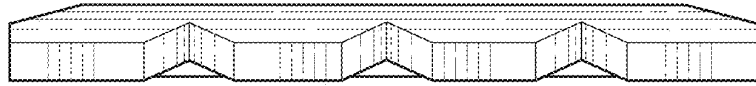


FIG. 7

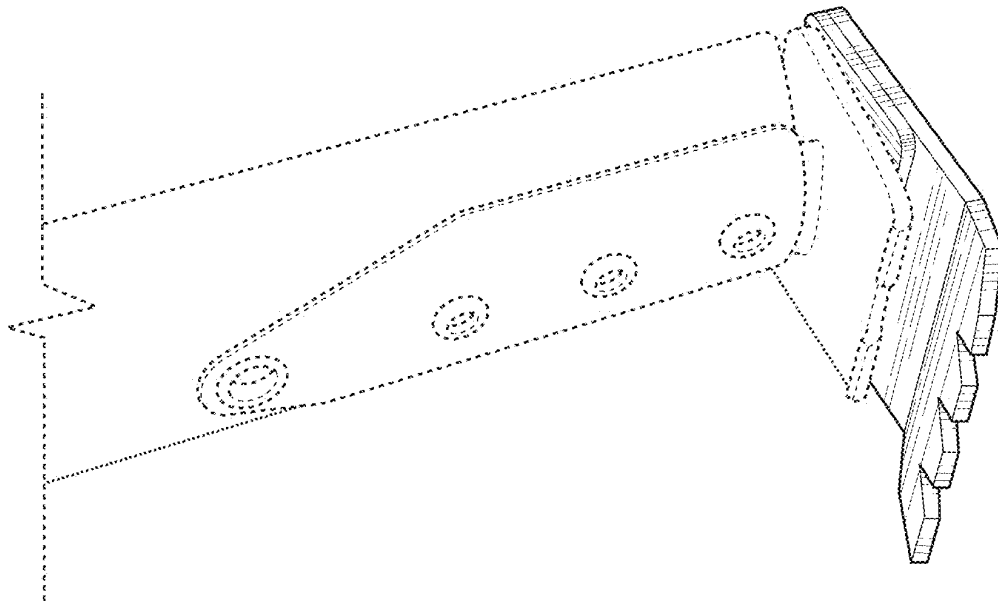


FIG. 8